

2300B

COMBINED SIDE SCAN SONAR, BATHYMETRY & SUB-BOTTOM PROFILING SYSTEM

FEATURES

- Fully integrated turnkey system
- Tri-frequency side scan sonar
- MPES Bathymetry option
- Enhanced sub-bottom profiling capabilities with multiple low frequency transducers and PVDF receiver
- Digital telemetry over single coaxial tow cable
- Built-in heading, pitch, roll, heave and depth sensor

APPLICATIONS

- Cable and Pipeline Surveys
- Geological/Geophysical Surveys
- Sediment Classification
- Pre/Post Dredging Surveys
- Scour/Erosion Investigation
- Archeological Surveys
- Marine Construction Surveys



The new 2300B combines EdgeTech's highly successful line of side scan sonars, sub-bottom profilers and MPES bathymetry into one fully integrated system.

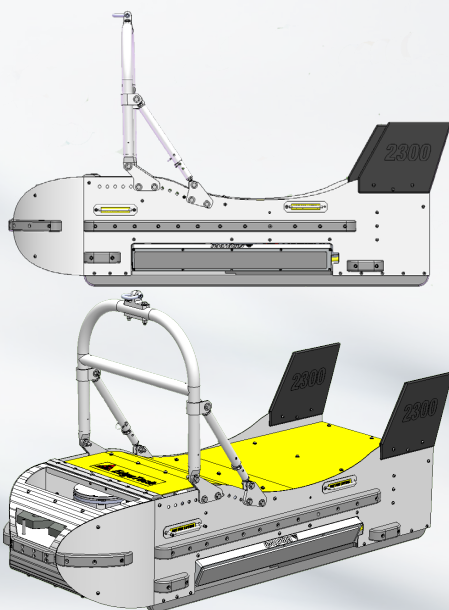
The new system builds on EdgeTech's proven sonar technology, and is ideal for deep water combined sonar operations where it provides enhancements to traditional systems.

Utilizing EdgeTech's proven Full Spectrum® CHIRP technology to provide crisp, high resolution imagery, surveyors can choose to operate any two side scan sonar frequencies simultaneously from the tri-frequency system.

Sub-bottom profiler capabilities have been expanded on the new 2300B to include the ability to incorporate up to four low frequency transducers as part of EdgeTech's DW-106 (1-10 kHz) deep penetration system. Coupled with that is the ability to utilize a large PVDF hydrophone array providing better sub-bottom receive sensitivity and directivity.

EdgeTech's MPES bathymetry is also available on the platform. The Multi Phase Echo Sounder (MPES) produces real-time, high resolution, three dimensional (3D) maps of the seafloor while providing co-registered simultaneous dual frequency side scan imagery. *(Note: Bathymetry information is provided as a good visualization tool for the operator, but please be aware that creating high resolution Digital Terrain models from several adjacent lines may be more difficult, given the typical accuracy of any towfish positioning)*

The 2300B can support additional sensor interface options including a USBL beacon and a towed magnetometer. Contact sales for other sensor interface options.



For more information please visit EdgeTech.com

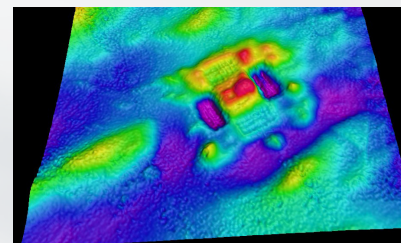
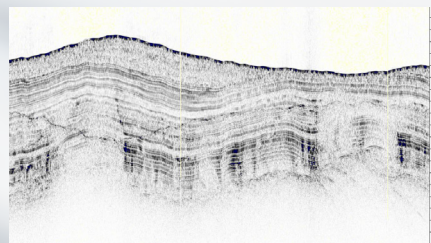
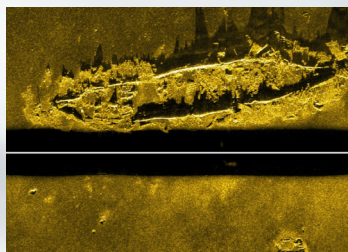
info@EdgeTech.com | USA 1.508.291.0057

2300B

COMBINED SIDE SCAN SONAR, BATHYMETRY & SUB-BOTTOM PROFILING SYSTEM

KEY SPECIFICATIONS

SIDE SCAN SONAR	STANDARD
Frequency	230/540/850 kHz tri-frequency side scan sonar <i>* Note: Tri-frequency configurations operate any 2 frequencies simultaneously on command</i>
Operating Range (meters/side)	230 kHz: 300 m, 540 kHz: 150 m, 850 kHz: 75 m
Horizontal Beam Width	230 kHz: 0.5°, 540 kHz: 0.26°, 850 kHz: 0.2°
Resolution Along Track	230 kHz: 1.4 m @ 150 m 540 kHz: 0.45 m @ 100 m 850 kHz: 0.15 m @ 50 m
Resolution Across Track	230 kHz: 3 cm, 540 kHz: 1.5 cm, 850 kHz: 1 cm
Vertical Beam Width	50°
Depression Angle	Tilted down 26°
MPES BATHYMETRY	
Sonar Frequency	540 kHz
Beamwidths	1° x 0.5°
Max Optimal Operating Depth Below Towfish	50 m
Max Swath Width	200 m
Sounding Patterns	Equidistant and Equiangular
SUB-BOTTOM PROFILER	4 X DW 106
Frequency Band	1-10 kHz
Resolution	10 – 30 cm
Penetration in coarse sand	20 m
Penetration in clay	200 m
TOWFISH	
Length	81" (205.9 cm)
Width	32.17" (81.7 cm)
Height	20" (50.8 cm - without fins) 30" (76.3 cm - with rear fins)
Weight in Air	1100 lbs (449 kg)
Weight in Water	650 lb (272 kg)
Maximum Water Depth	2000 meters standard



For more information please visit EdgeTech.com

info@EdgeTech.com | USA 1.508.291.0057