

2300

COMBINED SIDE SCAN SONAR & SUB-BOTTOM PROFILING SYSTEM

FEATURES

- Fully integrated turnkey system
- Tri-frequency side scan sonar
- Enhanced sub-bottom profiling capabilities with multiple low frequency transducers and PVDF receiver
- Digital telemetry over single coaxial tow cable
- Built-in heading, pitch, roll, heave and depth sensor

APPLICATIONS

- Cable and Pipeline Surveys
- Geological/Geophysical Surveys
- Sediment Classification
- Archeological Surveys
- Marine Construction Surveys

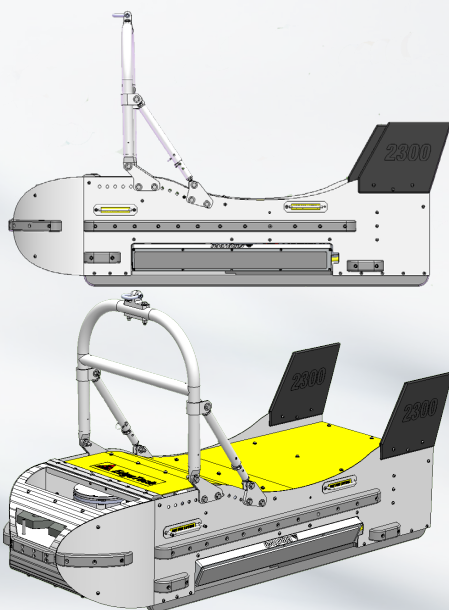


The 2300 continues EdgeTech's highly successful line of combined side scan sonars and sub-bottom profilers, whilst building on EdgeTech's proven sonar technology in a number of ways.

Sub-bottom profiler capabilities have been expanded on the new 2300 to include the ability to incorporate up to four low frequency transducers as part of EdgeTech's DW-106 (1-10 kHz) deep penetration system. Coupled with that is the ability to utilize a large PVDF hydrophone array providing better sub-bottom receive sensitivity and directivity.

The 2300 can support additional sensor interface options including a USBL beacon and a towed magnetometer. Contact sales for other sensor interface options.

If you also want bathymetry data from the same platform, then EdgeTech also offers the 2300B.



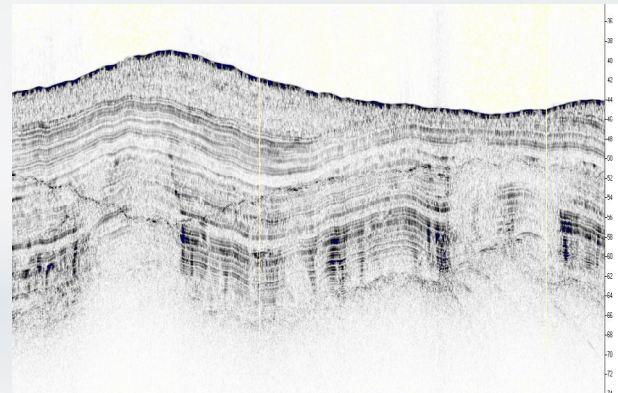
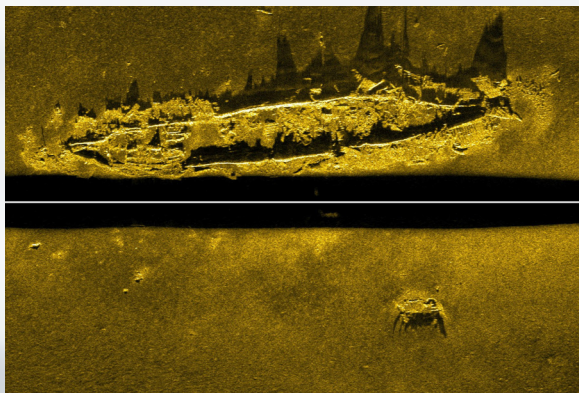
For more information please visit EdgeTech.com

2300

COMBINED SIDE SCAN SONAR & SUB-BOTTOM PROFILING SYSTEM

KEY SPECIFICATIONS

SIDE SCAN SONAR	STANDARD
Frequency	Choice of either 120/410/850 kHz or 230/540/850 kHz tri-frequency side scan sonar * Note: Tri-frequency configurations operate any 2 frequencies simultaneously on command
Operating Range (meters/side)	120 kHz: 500 m, 230 kHz: 300 m, 410 kHz: 200 m, 540 kHz: 150 m, 850 kHz: 75 m
Horizontal Beam Width	120 kHz: 0.68°, 230 kHz: 0.5°, 410 kHz: 0.3°, 540 kHz: 0.26°, 850 kHz: 0.2°
Resolution Along Track	120 kHz: 2.4 m @ 200 m 230 kHz: 1.4 m @ 150 m 410 kHz: 0.5 m @ 100 m 540 kHz: 0.45 m @ 100 m 850 kHz: 0.15 m @ 50 m
Resolution Across Track	120 kHz: 6.5 cm, 230 kHz: 3 cm, 410 kHz: 1.8 cm, 540 kHz: 1.5 cm, 850 kHz: 1 cm
Vertical Beam Width	50°
Depression Angle	Tilted down 26°
SUB-BOTTOM PROFILER	4 X DW 106
Frequency Band	1-10 kHz
Resolution	10 – 30 cm
Penetration in coarse sand	20 m
Penetration in clay	200 m
TOWFISH	
Length	81" (205.9 cm)
Width	32.17" (81.7 cm)
Height	20" (50.8 cm - without fins) 30" (76.3 cm - with rear fins)
Weight in Air	1100 lbs (499 kg)
Weight in Water	650 lb (272 kg)
Maximum Water Depth	2000 meters standard



For more information please visit EdgeTech.com

info@EdgeTech.com | USA 1.508.291.0057